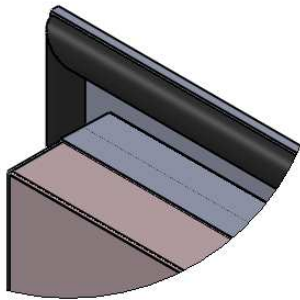
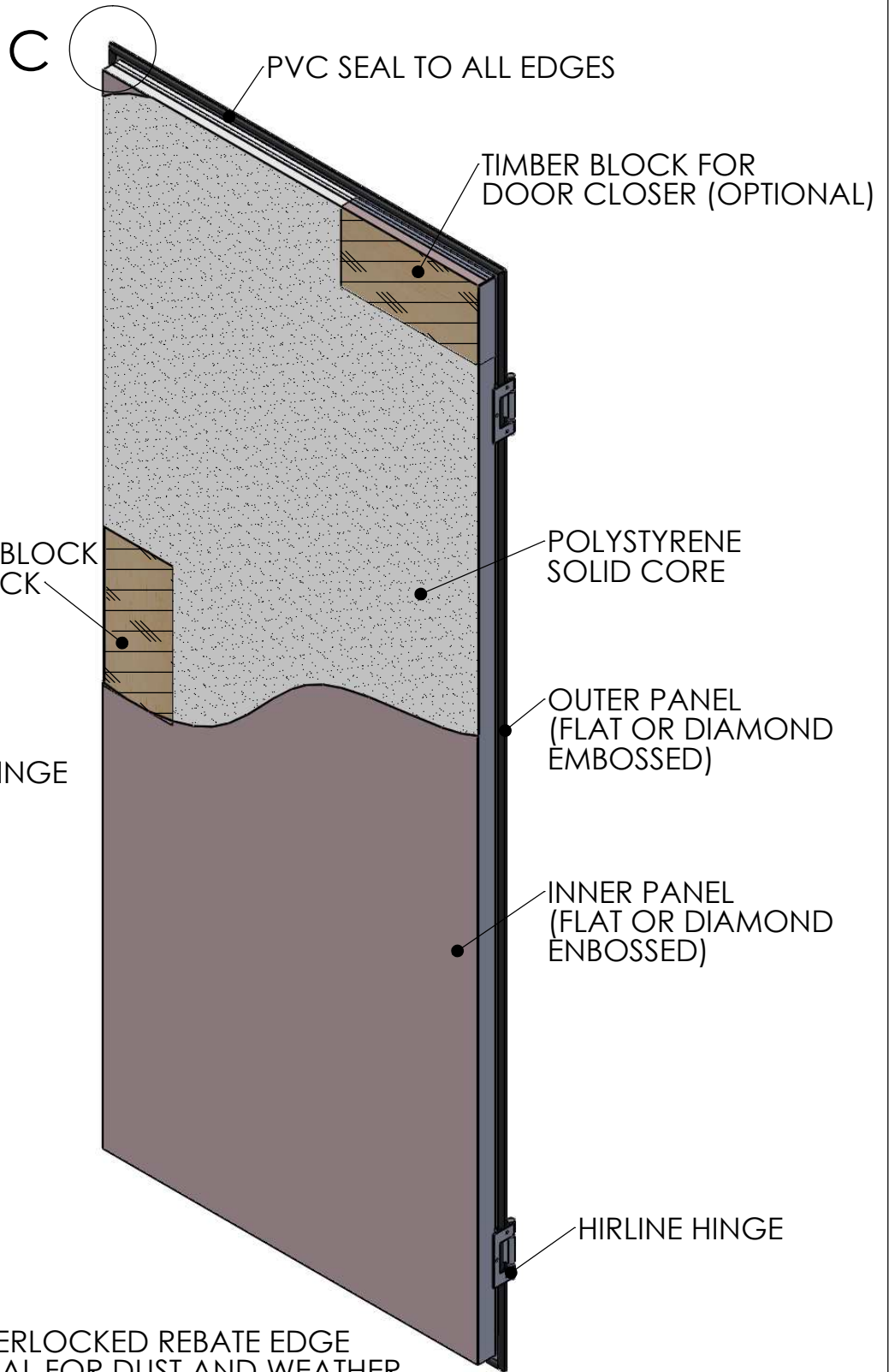


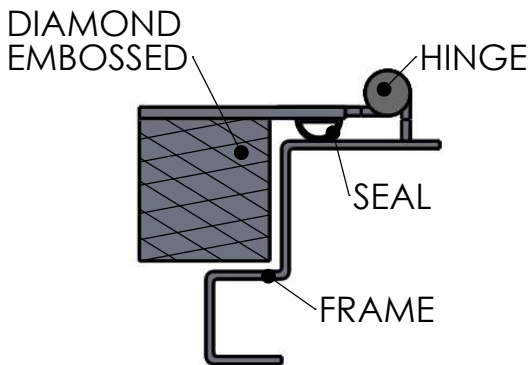
LIETZKE REBATE EDGE DOOR



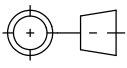
DETAIL C - C



TIMBER BLOCK FOR LOCK



THIS DOOR HAS A FULL INTERLOCKED REBATE EDGE WITH AN INTEGRAL PVC SEAL FOR DUST AND WEATHER PROTECTION AND IMPROVED NOISE SUPPRESSION

	<p>DO NOT SCALE DRAWING. DIMENSIONS IN MILLIMETERS.</p> 	<p>GENERAL TOLERANCES: Unless Otherwise Stated: 0 Dec. place $\pm 0.5\text{mm}$ 1 Dec. place $\pm 0.25\text{mm}$ 2 Dec. place $\pm 0.10\text{mm}$ Holes: $+0.25\text{mm} -0\text{mm}$ Angles: $\pm 0.25^\circ$</p>	<p>Lietzke Australia PTY. LTD. 25 Circuit Court, Hendon SA 5014 Telephone (08) 8445 9999 Fax (08) 8347 2073</p>									
<p>Material: DO NOT SCALE DRAWING. DIMENSIONS IN MILLIMETERS.</p>			<table border="1"> <tr> <td>Drawn: H.P.LY</td> <td>Date: 02/08/11</td> <td>Drawing Number: LKD - DUO</td> </tr> <tr> <td>Checked:</td> <td>Date:</td> <td>Sheet Size A4</td> </tr> <tr> <td colspan="3">Description LIETZKE REBATE EDGE DOOR</td> </tr> </table>	Drawn: H.P.LY	Date: 02/08/11	Drawing Number: LKD - DUO	Checked:	Date:	Sheet Size A4	Description LIETZKE REBATE EDGE DOOR		
Drawn: H.P.LY	Date: 02/08/11	Drawing Number: LKD - DUO										
Checked:	Date:	Sheet Size A4										
Description LIETZKE REBATE EDGE DOOR												
<p>CONFIDENTIAL: This drawing and its designs, specifications and engineering information disclosed hereon are the property of LIETZKE AUSTRALIA PTY. LTD. and are not to be disseminated or reproduced without the express written consent of LIETZKE AUSTRALIA PTY. LTD. This drawing is loaned in confidence and then only for the consideration of the matter disclosed hereon. In accepting the loan of this drawing, the recipient agrees to keep it and the matter disclosed hereon in confidence and not to use nor permit their use in any way detrimental to LIETZKE AUSTRALIA PTY. LTD.</p>												